

GRILLE, REGISTER, AND DIFFUSER SCHEDULE					
PLAN SYMBOL	DESCRIPTION	MANUFACTURER & MODEL NO.	MATERIAL	FINISH	NOISE CRITERIA
CDR-1	SQUARE FACE, ROUND NECK, 4-WAY DEFLECTION CEILING DIFFUSER, SPRING LOCK INNER CORE, FOR LAY-IN CEILING INSTALLATION.	PRICE SCD (4C)	ALUMINUM	WHITE	-
CDR-2	SQUARE FACE, ROUND NECK, 4-WAY DEFLECTION CEILING DIFFUSER, SPRING LOCK INNER CORE, FOR SURFACE MOUNT INSTALLATION.	PRICE SCD (4C)	ALUMINUM	WHITE	-
RG-1	SQUARE PATTERN GRILLE, FIXED CORE OF 1/2"x1/2"x1/2" FABRICATED ALUMINUM SQUARES, FLAT FRAME WITH 1/4" MARGIN, FOR LAY-IN CEILING INSTALLATION.	PRICE 80	ALUMINUM	WHITE	-

NOTES:  
SEE PLANS FOR QUANTITY AND SIZES.  
M.C. TO FIELD VERIFY CEILING TYPE FOR ALL GRD BEFORE PURCHASING EQUIPMENT. PROVIDE REQUIRED MOUNTING.

SYSTEM	LOW PRESSURE			MED. PRESS.		HIGH PRESS.		INSULATION				NOTES	
	MAX. PRES.	SEAL			MAX PRES.	SEAL A	MAX PRES.	SEAL A	INTERNAL	THICKNESS	EXTERNAL		THICKNESS
		A	B	C									
SUPPLY AIR WITHIN 10' OF UNIT	2"	X	-	-	-	-	-	-	YES	1"	NO	-	
SUPPLY AIR BEYOND 10' OF UNIT	2"	X	-	-	-	-	-	-	NO	-	YES	2" FSK	
RETURN AIR WITHIN 10' OF UNIT	2"	-	X	-	-	-	-	YES	1"	NO	-	-	
RETURN AIR BEYOND 10' OF UNIT	2"	-	X	-	-	-	-	NO	-	YES	2" FSK	-	
OUTSIDE AIR/MIXED AIR	2"	-	X	-	-	-	-	NO	-	YES	3" FSK	-	

NOTES:

ROOF HOOD SCHEDULE - BASE DESIGN							
THROAT #	THROAT SIZE DIMENSION (IN)	THROAT AREA (FT²)	DAMPER BDD OR MOD	CONSTRUCTION	MANUFACTURER & MODEL NO.	COMMENTS	NOTES
3	8X24	1.33	MOD	ALUMINUM	GREENHECK FGI	COLOR BY ARCHITECT	1-3

NOTES:  
M.C. IS RESPONSIBLE FOR PROVIDING ANY AND ALL NECESSARY DIMENSIONAL, ELECTRICAL, MECHANICAL, AND STRUCTURAL ALTERATIONS NECESSITATED BY PROVIDING ALTERNATE EQUIPMENT.  
1. M.C. TO PROVIDE ROOF HOOD WITH ALUMINUM BIRDSCREEN.  
2. M.C. SHALL PROVIDE ROOF CURB, CURB INSTALLATION BY G.C.  
3. M.C. SHALL PROVIDE LOW VOLTAGE MOTORIZED DAMPER.

GAS FURNACE SCHEDULE - BASE DESIGN																
F #	TYPE	INPUT MBH	OUTPUT MBH	CFM	MIN F.A.	EXT. S.P.	HEAT EXCH. MTL	BLOWER				PILOT	VENT	FILTER MERV 8 MIN.	MANUFACTURER & MODEL NO.	NOTES
								SIZE	DRIVE	H.P.	ELEC. CHAR					
1	HORIZ	120	115	1750	350	0.6	ALUMINIZED STL	11X11	DIRECT	1	120/1	HOT S	3"	2" TA	YORK 1M9V120D20MP12C	1-4

NOTES:  
M.C. IS RESPONSIBLE FOR PROVIDING ANY AND ALL NECESSARY DIMENSIONAL, ELECTRICAL, MECHANICAL, AND STRUCTURAL ALTERATIONS NECESSITATED BY PROVIDING ALTERNATE EQUIPMENT.  
1. PROVIDE CONCENTRIC VENT. INSTALL PER MANUFACTURER INSTRUCTIONS. MAINTAIN MINIMUM CLEARANCES: 36" BETWEEN VENTS, 10'-0" FROM ANY FRESH AIR INTAKE.  
2. PROVIDE CO₂ SENSOR, INSTALLATION BY CONTROLS CONTRACTOR. INTERLOCK CO₂ SENSOR WITH MOTORIZED DAMPER IN OUTSIDE AIR DUCT.  
3. PROVIDE FURNACE WITH 2 STAGE HEATING.  
4. DUCT SMOKE DETECTOR AND REMOTE TEST STATION PROVIDED BY AND INSTALLED BY E.C. REMOTE TEST STATION TO BE LOCATED IN OCCUPIED SPACE AND CONNECTION TO FIRE ALARM SYSTEM BY E.C. COORDINATE WITH E.C.

CONDENSING UNIT SCHEDULE - BASE DESIGN														
CU #	CONDENSING UNIT						EVAPORATOR UNIT						NOTES	
	NOMINAL TONNAGE	ELEC. CHAR	MCA	MOCOP	S.E.E.R	WEIGHT (LBS)	MANUFACTURER & MODEL NO.	CFM	MAX S.P.	BLOWER MOTOR	ELEC. CHAR	MCA		MANUFACTURER & MODEL NO.
1	5	208/1	31.4	50	19	295	YORK YXT60B21S	1750	0.3	-	SEE FURNACE SCHEDULE	-	YORK XAFD60JBCN1	1-7

NOTES:  
M.C. IS RESPONSIBLE FOR PROVIDING ANY AND ALL NECESSARY DIMENSIONAL, ELECTRICAL, MECHANICAL, AND STRUCTURAL ALTERATIONS NECESSITATED BY PROVIDING ALTERNATE EQUIPMENT.  
1. E.C. TO PROVIDE AND INSTALL POWER DISCONNECT FOR UNIT. COORDINATE WITH M.C.  
2. M.C. TO INCLUDE PRE-CHARGED LINE KIT. INSULATE SUCTION LINE.  
3. TWO STAGE COOLING.  
4. FOR LINE LENGTH EXCEEDING 50', M.C. MUST PROVIDE FACTORY DESIGNED AND FACTORY OR FIELD FABRICATED REFRIGERANT PIPING.  
5. MOUNT UNITS ON CONDENSING UNIT SUPPORTS RE: 10/M501 FOR MORE INFORMATION.  
6. INSULATE SUCTION LINE WITH 5/8" AP ARMAFLEX INSULATION OR EQUAL. SEAL ALL JOINTS WATER TIGHT TO PREVENT CONDENSATE IN THE CEILING.  
7. PROVIDE UNIT WITH HAIL GUARD.

GENERAL MECHANICAL NOTES	
1. ALL WORK SHALL BE IN COMPLIANCE WITH STATE AND LOCAL CODES.	14. DUCT MATERIAL SHALL BE GALVANIZED OR ALUMINUM CONSTRUCTION IN ACCORDANCE WITH SMACNA DUCT CONSTRUCTION STANDARD 2005 FOR THE PRESSURE AND SEAL CLASS LISTED IN DUCTWORK/INSULATION SCHEDULE.
2. THE CONTRACTOR SHALL PAY FOR ALL FEES, PERMITS, LICENSES, ETC., NECESSARY FOR PROPER COMPLETION OF THE WORK.	15. DUCT SIZES LISTED ON PLANS ARE THE REQUIRED CLEAR INTERIOR DIMENSIONS.
3. INSTALL ALL EQUIPMENT IN ACCORDANCE WITH MANUFACTURERS RECOMMENDATIONS.	16. SUPPLY AND RETURN BRANCH DUCTS MAY BE INSULATED FLEX DUCT IF THE RUN IS LESS THAN 5 FEET IN LENGTH. ANY LENGTHS OVER 5 FEET SHALL BE RIGID DUCTWORK. DUCT SHALL BE THE SAME SIZE AS THE LISTED DIFFUSER THROAT UNLESS NOTED OTHERWISE.
4. VERIFY ALL EXISTING CONDITIONS. NOTIFY ENGINEER OF ANY CONFLICTS BETWEEN CONTRACT DRAWINGS AND ACTUAL CONDITIONS.	17. PROVIDE VOLUME CONTROL DAMPERS WHERE INDICATED AND AT ALL TAKEOFFS, BOTH SUPPLY AND RETURN SYSTEMS, AND MAJOR DUCT RUNS. DAMPERS SHALL BE FACTORY-FABRICATED WITH ZINC-PLATED, DIE-CAST CONTROL HARDWARE. CONTROL HARDWARE SHALL INCLUDE HEAVY GAUGE DIAL AND HANDLE WITH ELEVATED PLATFORM FOR INSULATED DUCT MOUNTING.
5. EXISTING UTILITIES TO BE ABANDONED SHALL BE PROPERLY DISCONNECTED AND CAPPED AS REQUIRED BY CODE OR LOCAL ORDINANCE.	18. PROVIDE TURNING VANES IN ALL RECTANGULAR ELBOWS CONFORMING TO SMACNA DUCT CONSTRUCTION STANDARD 2005 FIG. 4-2 TYPE RE-3 WITH STANDARD RADIUS. WHERE SPACE PERMITS, PROVIDE RADIUS ELBOWS IN ACCORDANCE WITH FIGURES 4-2, TYPE RE-1.
6. THESE DRAWINGS ARE DIAGRAMMATIC AND SHALL NOT BE SCALED. ADDITIONAL DATA SHALL BE FROM THE ENGINEER THROUGH WRITTEN CLARIFICATION ONLY. VERIFY ALL EXISTING CONDITIONS, ELEVATIONS, AND DIMENSIONS BEFORE PROCEEDING WITH ANY PORTION OF ANY WORK. THE CONTRACTOR SHALL PROVIDE ALL OFFSETS AND TRANSITIONS REQUIRED TO MEET EXISTING CONDITIONS.	19. ALL RECTANGULAR MAIN TO RECTANGULAR BRANCH CONNECTIONS, BOTH CONVERGING AND DIVERGING CONFIGURATIONS, SHALL HAVE A 45 DEG. ENTRY TAP CONSTRUCTED IN ACCORDANCE WITH SMACNA DUCT CONSTRUCTION STANDARD 2005 FIG. 4-6.
7. THE CONTRACTOR SHALL PERFORM WORK IN A SKILLED AND PROFESSIONAL MANNER.	20. DIFFUSER PATTERN 4-WAY UNLESS OTHERWISE INDICATED. PROVIDE FIBERGLASS DUCT INSULATION WITH VAPOR BARRIER AS SCHEDULED UNLESS NOTED OTHERWISE.
8. ALL CONTRACTORS ARE RESPONSIBLE TO FIELD COORDINATE WORK SCHEDULE WITH OWNER REPRESENTATIVE.	21. MECHANICAL CONTRACTOR TO REPAIR ANY DAMAGE DONE TO THE FIRE PROOFING WHILE INSTALLING THE MECHANICAL TRADES. SEAL ALL PENETRATIONS THROUGH RATED STRUCTURES WITH UL LISTED FIRE SEAL DESIGNED FOR THE SPECIFIED APPLICATION.
9. THE CONTRACTOR SHALL WORK AND COORDINATE WITH THE OTHER TRADES.	22. THE CONTRACTOR SHALL TAKE ALL PRECAUTIONARY MEASURES TO PROTECT THE PUBLIC AND ADJACENT PROPERTIES FROM DAMAGE THROUGHOUT CONSTRUCTION.
10. ALL EQUIPMENT SHALL BE NEW AND IN UNDAMAGED CONDITION. ANY EQUIPMENT FOUND DEFECTIVE SHALL BE IMMEDIATELY REMOVED FROM THE PROJECT.	23. THE CONTRACTOR SHALL GUARANTEE ALL WORKMANSHIP AND MATERIALS FOR A PERIOD OF ONE (1) YEAR FROM THE DATE OF SUBSTANTIAL COMPLETION OR AS OTHERWISE REQUIRED IN THE SPECIFICATIONS.
11. PROVIDE 3 COPIES OF AN OPERATION AND MAINTENANCE MANUAL FOR ALL MAJOR EQUIPMENT REQUIRING SERVICE. MAJOR EQUIPMENT INCLUDES BUT IS NOT LIMITED TO COILS, FANS, AND CONTROL WIRING DIAGRAMS. EACH PIECE OF EQUIPMENT SHALL STATE THE CONTRACT DATE AND THE NAME, ADDRESS AND PHONE NUMBER FOR THE PRIME CONTRACTOR, SUBCONTRACTOR PERFORMING THE INSTALLATION, AND THE LOCAL VENDOR FOR SPARE PARTS. THE MANUALS SHALL CONTAIN MAINTENANCE INSTRUCTIONS REQUIRED FOR THE INSTALLED EQUIPMENT. MANUALS SHALL BE BOUND IN A THREE RING HARD COVER BINDER. O & M MANUALS SHALL BE SUBMITTED TO THE OWNER PRIOR TO FINAL WALK THROUGH OF THE PROJECT.	24. MECHANICAL CONTRACTOR TO INCLUDE THE TEST AND BALANCE, AND ANY PERMIT FEES IN THEIR BID.
12. PROVIDE 8 HOURS OF OWNER TRAINING FOR THE INSTALLED EQUIPMENT. TRAINING SHALL BE HELD ONLY AFTER ALL OF THE EQUIPMENT IS INSTALLED AND PROPER OPERATION IS VERIFIED.	25. MECHANICAL CONTRACTOR SHALL VERIFY ALL ROOFTOP EQUIPMENT WEIGHTS, SIZES, LOCATIONS AND OPENINGS REQUIRED AND SHALL COORDINATE ANY CHANGES WITH THE ARCHITECT.
13. CONTRACTOR SHALL SUBMIT A CERTIFIED REPORT INDICATING SYSTEM PERFORMANCE INCLUDING, BUT NOT LIMITED TO, VOLTAGE AND AMPERAGE MEASUREMENTS OF ALL EQUIPMENT GREATER THAN 1/3 H.P. WATER BALANCE MEASUREMENTS OF EACH COIL AND PUMP. AIR BALANCE MEASUREMENTS OF OUTSIDE AIR DELIVERY, AIR HANDLING UNIT SUPPLY, SUPPLY DIFFUSERS, EXHAUST AND RETURN GRILLES. AIR BALANCE SHALL BE WITHIN 10% OF DESIGN CONDITIONS. THE REPORT CERTIFICATION SHALL BE AS FOLLOWS:  I (name of company) CERTIFY THAT ALL MEASUREMENTS, FIGURES AND STATEMENTS INDICATED IN THIS REPORT WERE TAKEN BY ME OR UNDER MY SUPERVISION AND ARE ACCURATE AS OF (date). DESIGN FLOWS WERE BASED UPON PLANS DATED (xx/xx/xx).	26. UPON PROJECT COMPLETION, RECORD (AS-BUILT) DRAWINGS SHALL BE PROVIDED BY THE CONTRACTOR TO THE BUILDING OWNER. ALL CHANGES MADE TO EQUIPMENT, DUCTWORK, AND GENERAL DESIGN SHALL BE NOTED ON THE DRAWINGS. PROVIDE IN PDF FORMAT OR PRINTED SET AT THE OWNER'S REQUEST.

ABBREVIATIONS	
A AMP	IN INCH
ADD ADDENDUM	LAT LEAVING AIR TEMPERATURE
ADJ ADJUSTABLE	LB POUND
AFF ABOVE FINISH FLOOR	LWT LEAVING WATER TEMPERATURE
AHU AIR HANDLER UNIT	MAX MAXIMUM
AI ANALOG INPUT	MBH 1000 BTU PER HOUR
ALT ALTERNATE	MC MECHANICAL CONTRACTOR
AO ANALOG OUTPUT	MCA MINIMUM CIRCUIT AMPS
APPRX APPROXIMATE	MECH MECHANICAL
ARCH ARCHITECT, ARCHITECTURAL	MIN MINIMUM
BDD BACK DRAFT DAMPER	MFR MANUFACTURER
BLDG BUILDING	NTS NOT TO SCALE
BTUH BRITISH THERMAL UNIT PER HOUR	OA OUTSIDE AIR
C CENTER	OC ON CENTER
CD CEILING DIFFUSER	P PUMP
CFM CUBIC FEET PER MINUTE	PC PLUMBING CONTRACTOR
CO CLEAN OUT	PLBG PLUMBING
COND CONDENSATE	PSI POUNDS PER SQUARE INCH
CONT CONTINUOUS	QTY QUANTITY
COP COEFFICIENT OF PERFORMANCE	RA RETURN AIR
DB DRY BULB	RECD REQUIRED
DET DETAIL	REV REVERSE OR REVISION
DG DOOR GRILLE	RG RETURN AIR GRILLE
DI DIGITAL INPUT	RPM REVOLUTIONS PER MINUTE
DIA OR Ø DIAMETER	RTU ROOF TOP UNIT
DIM DIMENSION	SA SUPPLY AIR
DN DOWN	SOFT SQUARE FEET
DO DIGITAL OUTPUT	SP SUPPLY GRILLE
DWG DRAWING	SP STATIC PRESSURE
EA EXHAUST AIR	SPEC SPECIFICATIONS
EAT ENTERING AIR TEMPERATURE	SS STAINLESS STEEL
EC ELECTRICAL CONTRACTOR	T&B TEST AND BALANCE
EER ENERGY EFFICIENCY RATIO	TEMP TEMPERATURE OR TEMPORARY
EF EXHAUST FAN	TG TRANSFER GRILLE
EG EXHAUST GRILLE	TYP TYPICAL
ELEC ELECTRICAL	V VOLT
ERV ENERGY RECOVERY VENTILATOR	VAR VARIABLE OR VARIES
ESP EXTERNAL STATIC PRESSURE	VEL VELOCITY
EWL ENTERING WATER TEMPERATURE	VFD VARIABLE FREQUENCY DRIVE
EXIST EXISTING	VTR VENT THRU ROOF
FA FRESH AIR	W/ WITH
FPM FEET PER MINUTE	W/IN WITHIN
FT FOOT (FEET)	W/O WITH OUT
GA GAUGE/GAGE	WB WET BULB
GALV GALVANIZED	WC WATER COLUMN (INCHES OF)
GC GENERAL CONTRACTOR	WT WEIGHT
GPM GALLONS PER MINUTE	
GYP GYPSUM	
HORIZ HORIZONTAL	
HP HORSEPOWER	
HT HEIGHT	
I/O INPUT/OUTPUT	

MECHANICAL HVAC LEGEND		
EXHAUST AIR DUCT (DOWN)		EXHAUST AIR DUCT (UP)
RETURN AIR DUCT (DOWN)		RETURN AIR DUCT (UP)
OUTSIDE OR SUPPLY AIR DUCT (DOWN)		OUTSIDE OR SUPPLY AIR DUCT (UP)
DUCT SIZE		NEW DUCTWORK
FLEX DUCT		EXISTING DUCTWORK
DEMOLITION LINETYPE		SUPPLY AIR CEILING DIFFUSER
RETURN AIR GRILLE		EXHAUST AIR GRILLE
DIFFUSER, GRILLE, AND REGISTER CALL-OUTS		SCHEDULED EQUIPMENT TAG
MANUAL BALANCING DAMPER		PIPE PENETRATION THROUGH FIRE RATED WALL
FIRE DAMPER		SMOKE DAMPER
MOTORIZED DAMPER		FIRE/SMOKE DAMPER
THERMOSTAT		HUMIDISTAT
REMOTE SENSOR		CARBON DIOXIDE SENSOR
DUCT SMOKE DETECTOR		

MECHANICAL SHEET INDEX	
M000	MECHANICAL LEGENDS AND NOTES
MD101	MECHANICAL DEMOLITION PLAN
M101	MECHANICAL DUCTWORK PLAN
M201	MECHANICAL ROOF PLAN
M501	MECHANICAL DETAILS

**AGP**  
the Abila Griffin  
Partnership L.L.C.

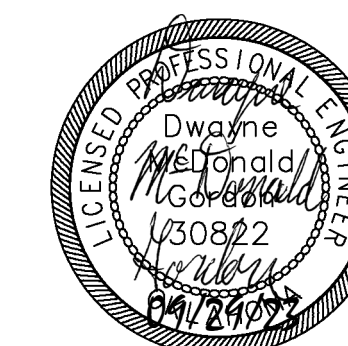
201 N. BROADWAY  
SUITE 210  
MOORE, OK. 73160  
405.735.3477  
AGP@theAGP.net  
www.theAGP.net

KFC ENGINEERING

STRUCTURAL

SALAS O'BRIEN

MECHANICAL / ELECTRICAL



KF

drawn by

DMG

checked by

SEPTEMBER 2023

date

revisions

MOORE PUBLIC SCHOOLS  
BOARD OF EDUCATION  
MOORE, OKLAHOMA



OFFICE ADDITION  
FAIRVIEW  
ELEMENTARY SCHOOL

sheet no:

**M000**

OWNERSHIP USE OF DOCUMENTS:

AGP EXPRESSLY RESERVES ITS  
COPYRIGHT AND OTHER PROPERTY  
RIGHTS OF ALL PLANS AND DRAWINGS  
DESIGNED AND/OR PRODUCED. PLANS  
AND DRAWINGS ARE NOT TO BE  
REPRODUCED IN ANY FORM OR MANNER  
WITHOUT THE EXPRESSED WRITTEN  
CONSENT OF AGP.

**Salas O'Brien**  
2800 Van Buren St., Suite 2635  
Norman, OK 73072  
Salas O'Brien Registration: CA# 7058  
Expiration Date: 6/30/2025  
Salas O'Brien Project Number: 2023-04386-00

GENERAL NOTES

1. COORDINATE DEMOLITION OF EQUIPMENT WITH ALL TRADES, CONSTRUCTION MANAGER, AND ARCHITECT.
2. CONTRACTOR TO FIELD VERIFY EXISTING CONDITIONS PRIOR TO PERFORMING WORK. LOCATIONS OF EXISTING EQUIPMENT ARE DIAGRAMMATICAL IN NATURE.
3. CONTRACTOR SHALL REPAIR AND/OR REPLACE ANY UNINTENDED DAMAGES ONE TO SURROUNDING AREAS DUE TO DEMOLITION.
4. OWNER SHALL HAVE FIRST SALVAGE RIGHTS OF DEMOLISHED EQUIPMENT. DISPOSE OF EQUIPMENT ACCORDING TO CODE. RECYCLE ALL RECYCLABLE MATERIALS.

KEYED NOTES

- ① DEMOLISH ALL AIR DEVICES AND ASSOCIATED DUCTWORK WITHIN DEMOLITION AREA. CAP AND SEAL ANY BRANCH DUCTWORK BACK TO MAIN.

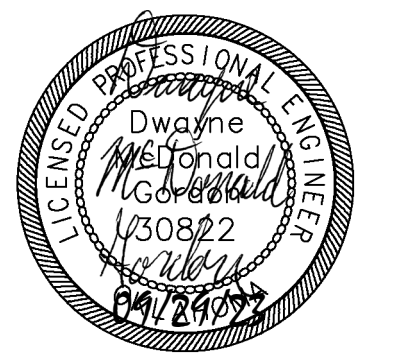
# AGP

the Abla Griffin Partnership L.L.C.

201 N. BROADWAY  
SUITE 210  
MOORE, OK. 73160  
405.735.3477  
AGP@theAGP.net  
www.theAGP.net

KFC ENGINEERING  
STRUCTURAL

SALAS O'BRIEN  
MECHANICAL / ELECTRICAL



XX

drawn by

TVO

checked by

SEPTEMBER 2023

date

revisions

MOORE PUBLIC SCHOOLS  
BOARD OF EDUCATION  
MOORE, OKLAHOMA



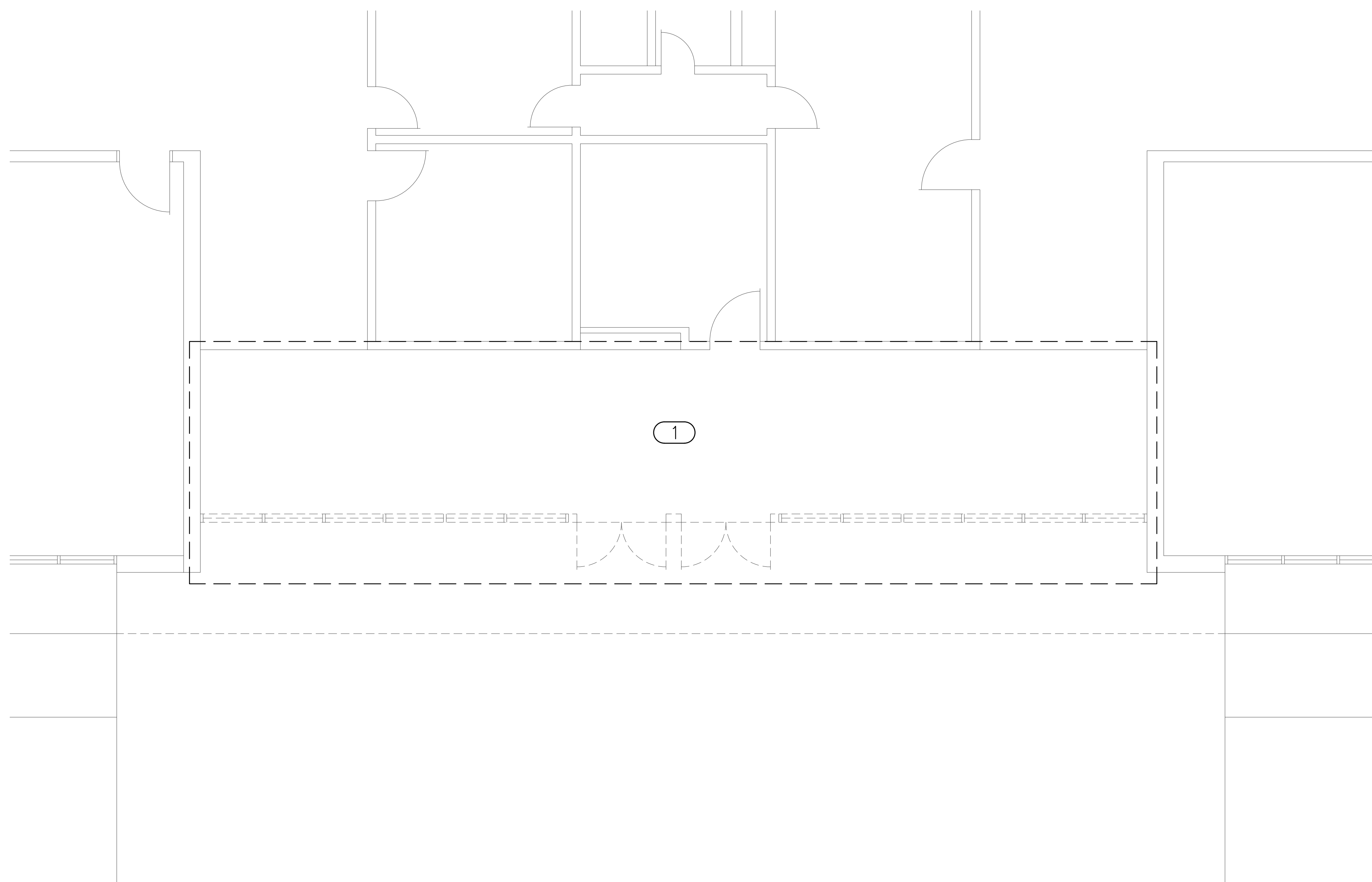
OFFICE ADDITION  
FAIRVIEW  
ELEMENTARY SCHOOL

sheet no:

## MD101

OWNERSHIP USE OF DOCUMENTS:

AGP EXPRESSLY RESERVES ITS COPYRIGHT AND OTHER PROPERTY RIGHTS OF ALL PLANS AND DRAWINGS DESIGNED AND/OR PRODUCED. PLANS AND DRAWINGS ARE NOT TO BE REPRODUCED IN ANY FORM OR MANNER WITHOUT THE EXPRESSED WRITTEN CONSENT OF AGP.



### 1 MECHANICAL DEMOLITION PLAN

SCALE: 1/4" = 1'-0"



**Salas O'Brien**  
 2600 Van Buren St., Suite 2635  
 Norman, OK 73072  
 Salas O'Brien Registration: CA# 7058  
 Expiration Date: 6/30/2025  
 Salas O'Brien Project Number: 2023-04386-00

**GENERAL NOTES**

1. FIELD VERIFY EXISTING CONDITIONS PRIOR TO COMMENCING WORK.
2. COORDINATE INSTALLATION OF EQUIPMENT AND DUCTWORK WITH ALL TRADES.
3. COORDINATE LOCATION OF THERMOSTATS WITH E.C. ROUGH-IN BY E.C.
4. COORDINATE CARBON DIOXIDE SENSOR LOCATION WITH EARTHSMART PRIOR TO INSTALLATION.

**KEYED NOTES**

- ① DUCT UP 8X24 INTO ROOF HOOD.

**AGP**  
the Abla Griffin  
Partnership L.L.C.

201 N. BROADWAY  
SUITE 210  
MOORE, OK. 73160  
405.735.3477  
AGP@theAGP.net  
www.theAGP.net

KFC ENGINEERING  
STRUCTURAL

SALAS O'BRIEN  
MECHANICAL / ELECTRICAL



KF  
drawn by  
DMG  
checked by  
SEPTEMBER 2023  
date  
revisions

MOORE PUBLIC SCHOOLS  
BOARD OF EDUCATION  
MOORE, OKLAHOMA



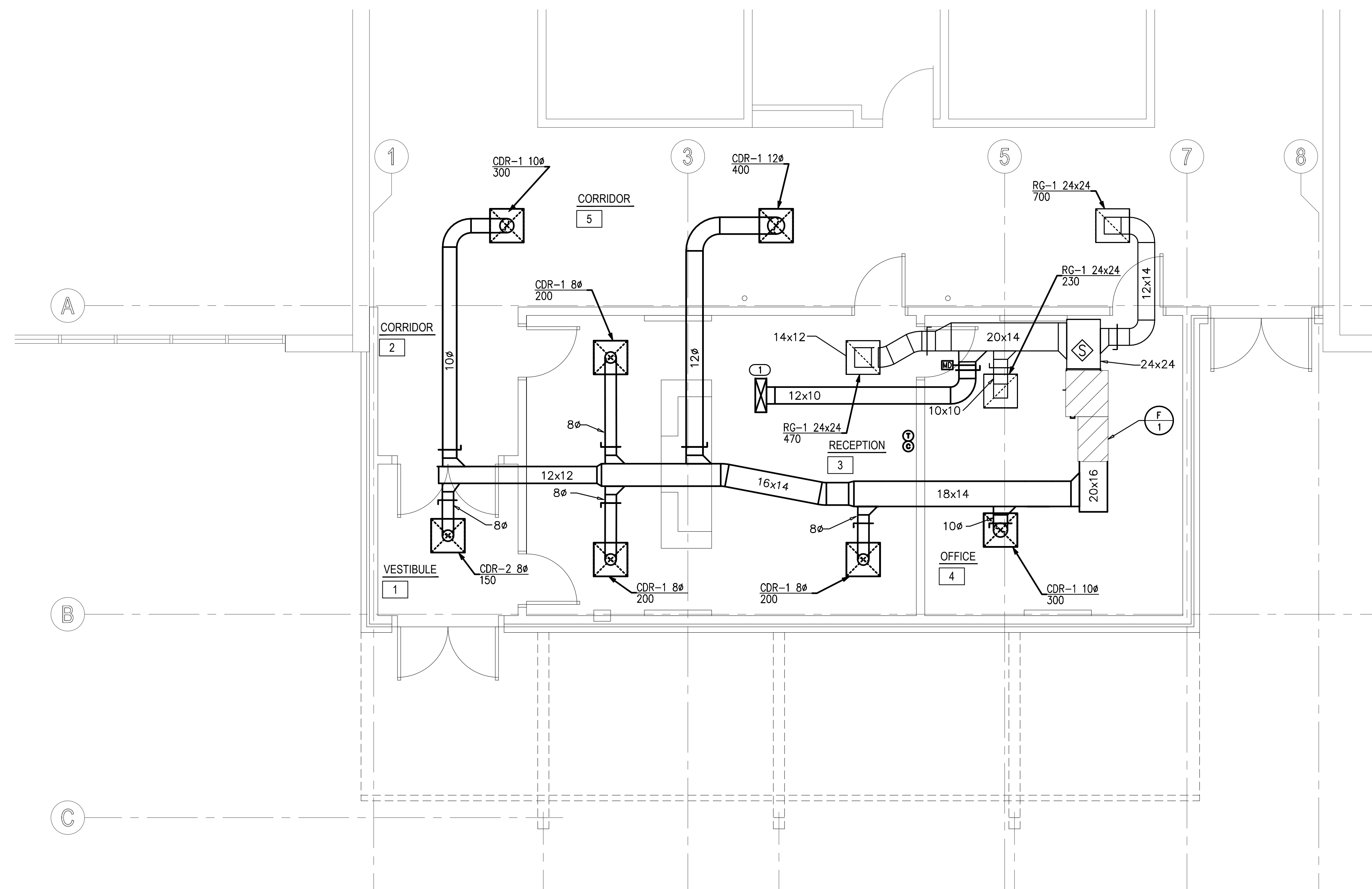
OFFICE ADDITION  
FAIRVIEW  
ELEMENTARY SCHOOL

sheet no:

**M101**

OWNERSHIP USE OF DOCUMENTS:

AGP EXPRESSLY RESERVES ITS  
COPYRIGHT AND OTHER PROPERTY  
RIGHTS OF ALL PLANS AND DRAWINGS  
DESIGNED AND/OR PRODUCED. PLANS  
AND DRAWINGS ARE NOT TO BE  
REPRODUCED IN ANY FORM OR MANNER  
WITHOUT THE EXPRESSED WRITTEN  
CONSENT OF AGP.



**1 MECHANICAL DUCTWORK PLAN**  
SCALE: 1/4" = 1'-0"



**Salas O'Brien**  
2600 Van Buren St., Suite 2635  
Norman, OK 73072  
Salas O'Brien Registration: CA# 7058  
Expiration Date: 6/30/2025  
Salas O'Brien Project Number: 2023-04386-00

GENERAL NOTES

1. ALL ROOF TOP EQUIPMENT TO BE LOCATED A MINIMUM 10'-0" AWAY FROM ROOF EDGE.
2. MAINTAIN A MINIMUM OF 10'-0" HORIZONTAL CLEARANCE BETWEEN ALL EXHAUST OUTLETS AND ANY FRESH AIR INTAKES.
3. ALL ROOF SUPPORT SYSTEMS ARE TO BE MANUFACTURED FOR THE ROOF MATERIAL/SYSTEM TO BE INSTALLED. REFER TO ARCHITECTURAL PLANS FOR THE ROOF SYSTEM, CURB INSTALLATION TO BE WARRANTED BY ROOFING CONTRACTOR.

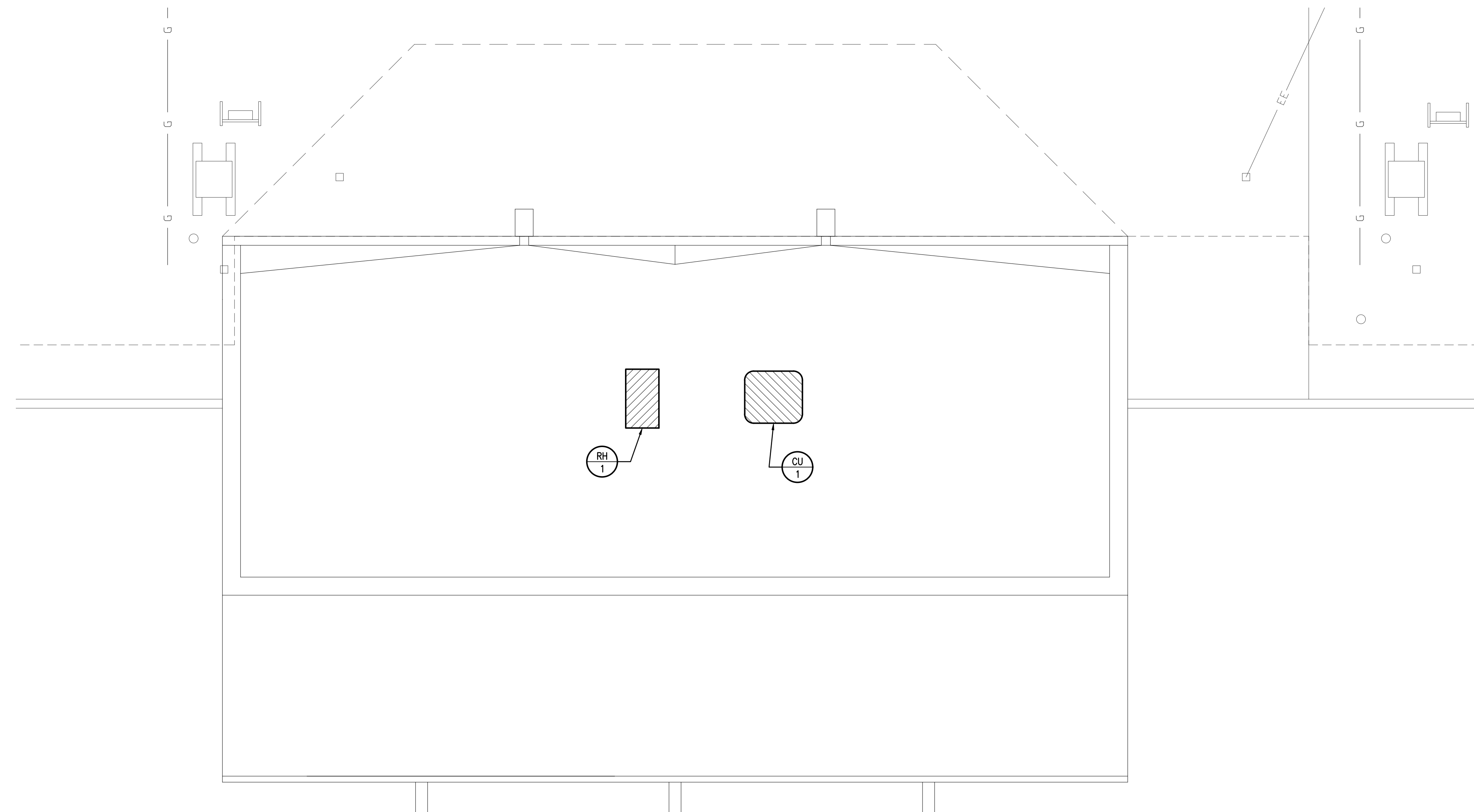
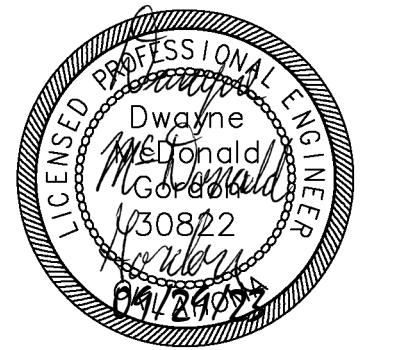
# AGP

the Abla Griffin Partnership L.L.C.

201 N. BROADWAY  
 SUITE 210  
 MOORE, OK. 73160  
 405.735.3477  
 AGP@theAGP.net  
 www.theAGP.net

KFC ENGINEERING  
 STRUCTURAL

SALAS O'BRIEN  
 MECHANICAL / ELECTRICAL



KF

drawn by

DMG

checked by

SEPTEMBER 2023

date

revisions

MOORE PUBLIC SCHOOLS  
 BOARD OF EDUCATION  
 MOORE, OKLAHOMA



OFFICE ADDITION  
 FAIRVIEW  
 ELEMENTARY SCHOOL

sheet no:

# M201

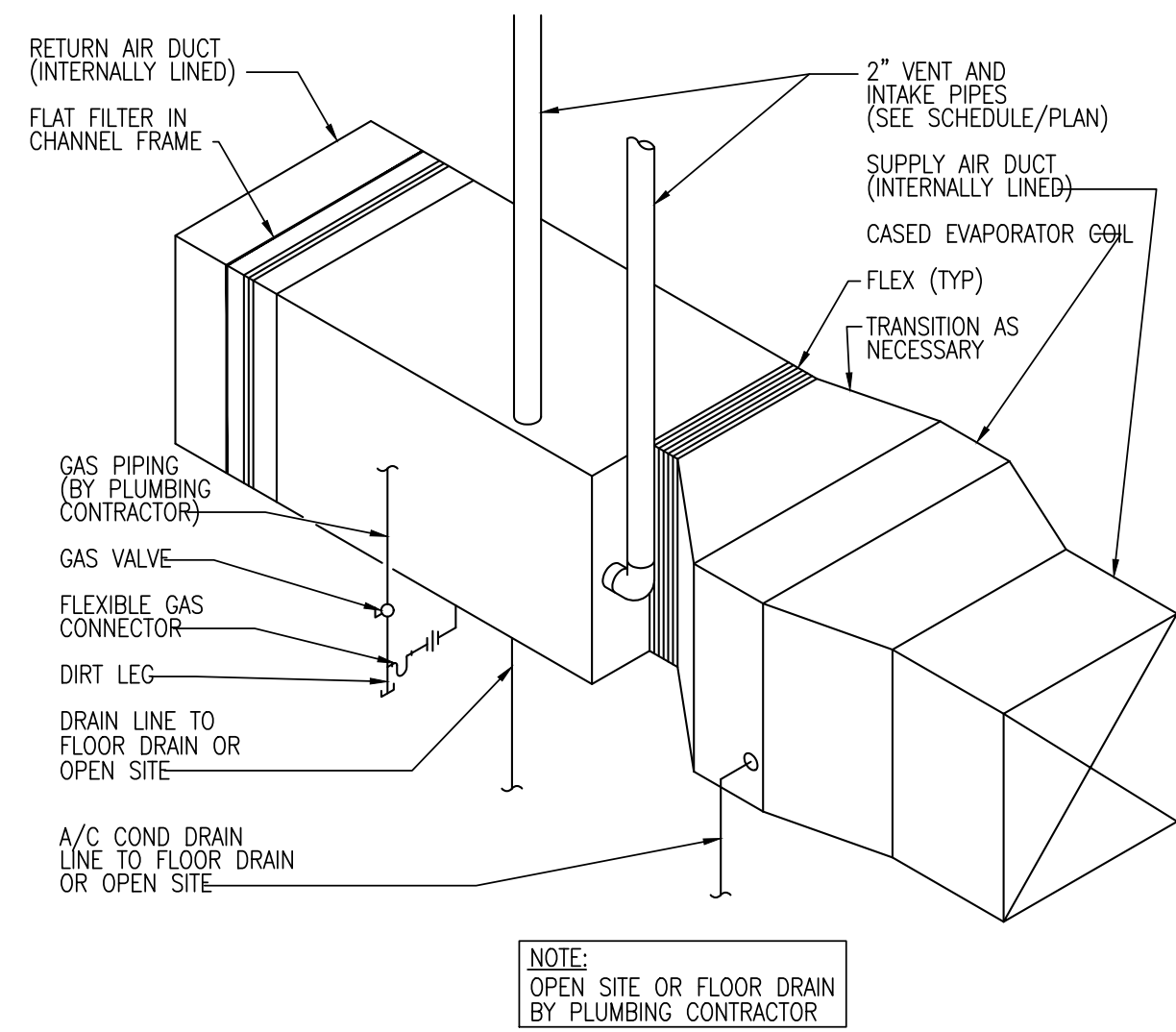
## 1 MECHANICAL ROOF PLAN

SCALE: 1/4" = 1'-0"

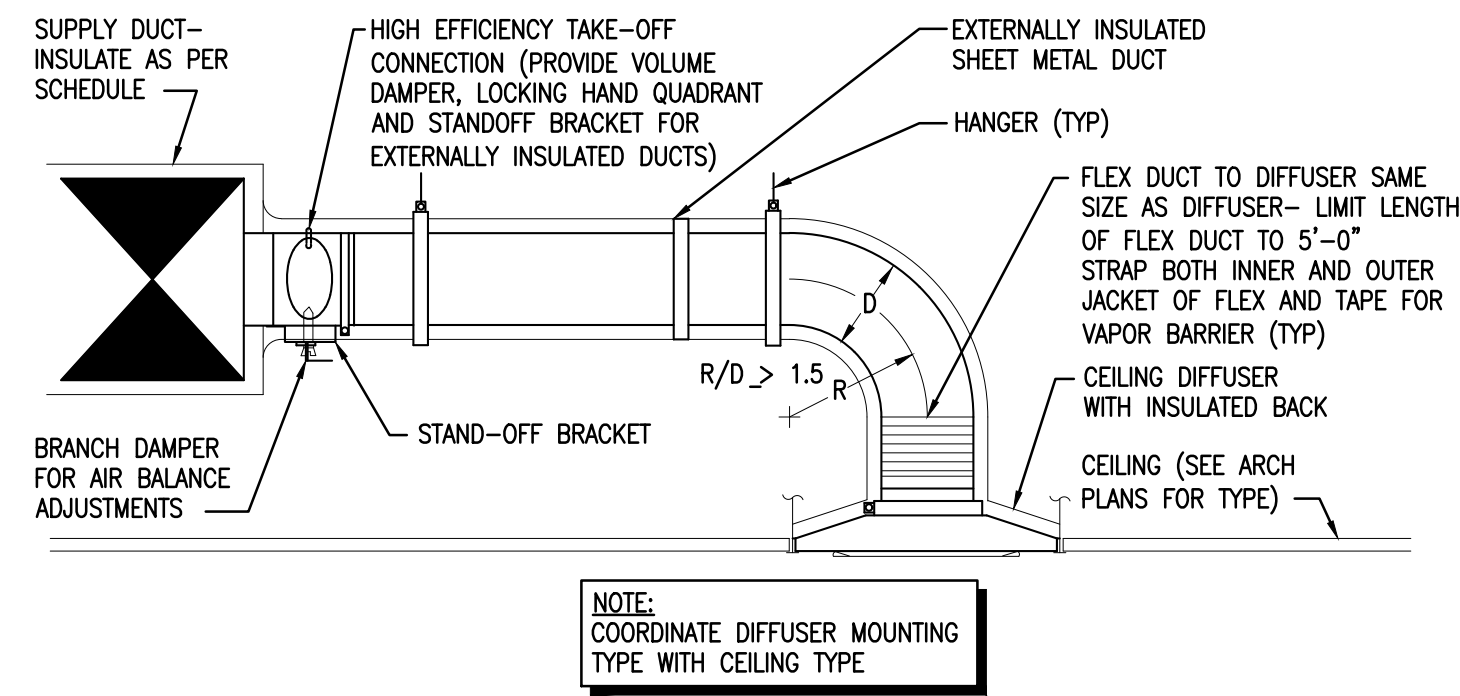


**Salas O'Brien**  
 2600 Van Buren St., Suite 2635  
 Norman, OK 73072  
 Salas O'Brien Registration: CA# 7058  
 Expiration Date: 6/30/2025  
 Salas O'Brien Project Number: 2023-04386-00

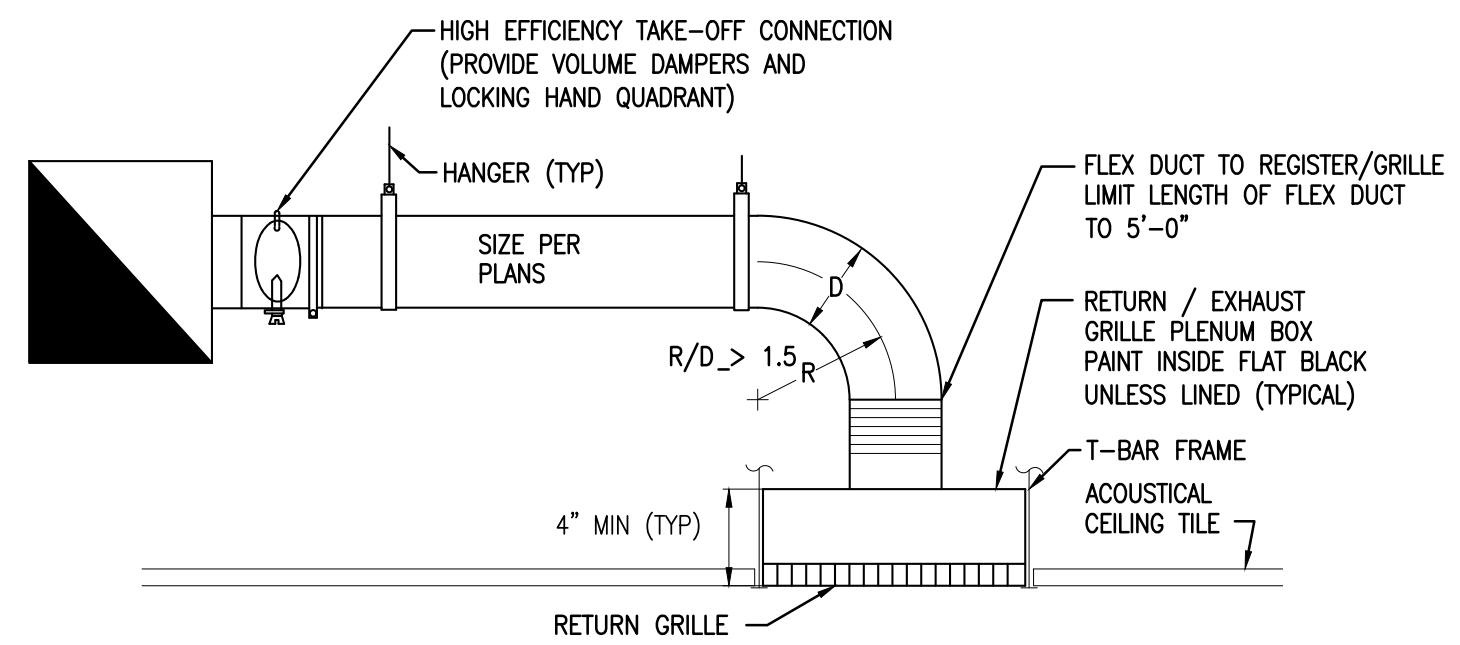
OWNERSHIP USE OF DOCUMENTS:  
 AGP EXPRESSLY RESERVES ITS  
 COPYRIGHT AND OTHER PROPERTY  
 RIGHTS OF ALL PLANS AND DRAWINGS  
 DESIGNED AND/OR PRODUCED. PLANS  
 AND DRAWINGS ARE NOT TO BE  
 REPRODUCED IN ANY FORM OR MANNER  
 WITHOUT THE EXPRESSED WRITTEN  
 CONSENT OF AGP.



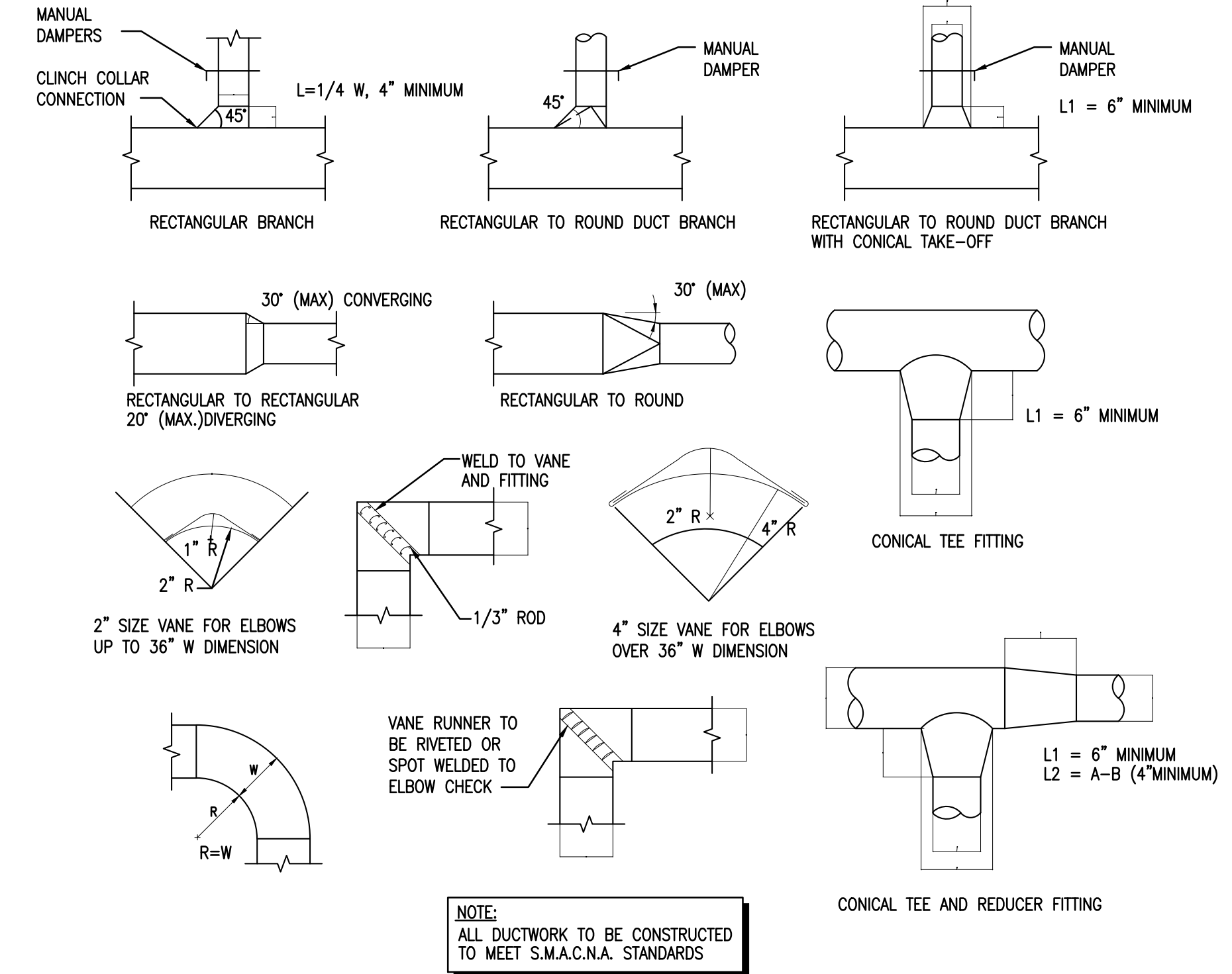
**3 HORIZONTAL GAS FURNACE DETAIL**  
NOT TO SCALE



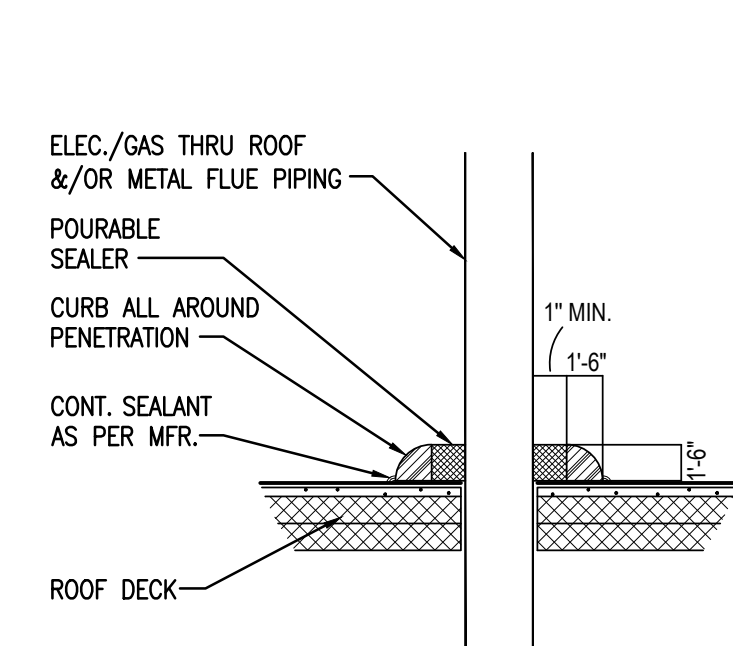
**2 CEILING DIFFUSER DETAIL**  
NOT TO SCALE



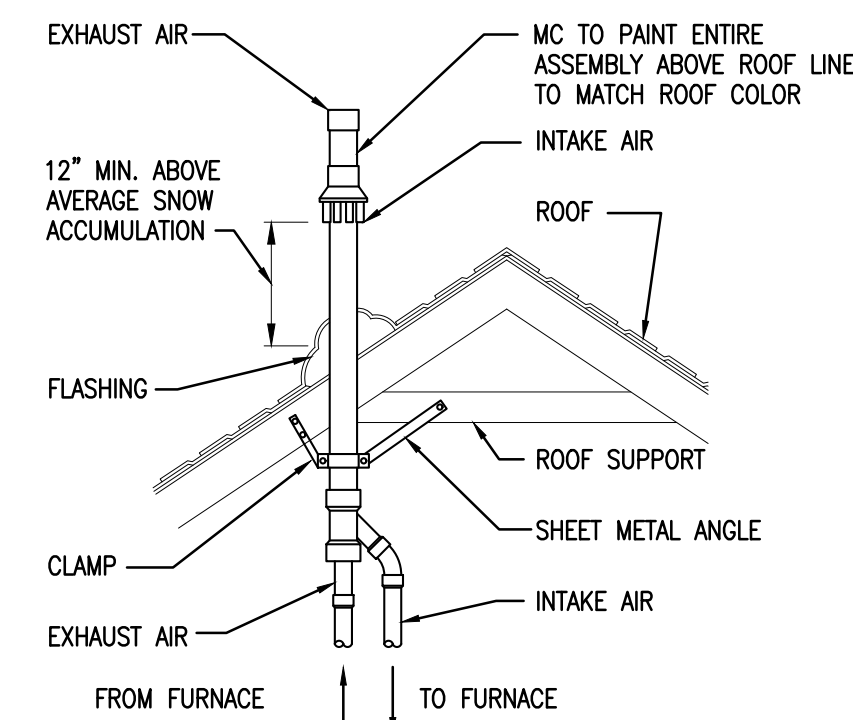
**4 RETURN / EXHAUST AIR GRILLE PLENUM BOX**  
NOT TO SCALE



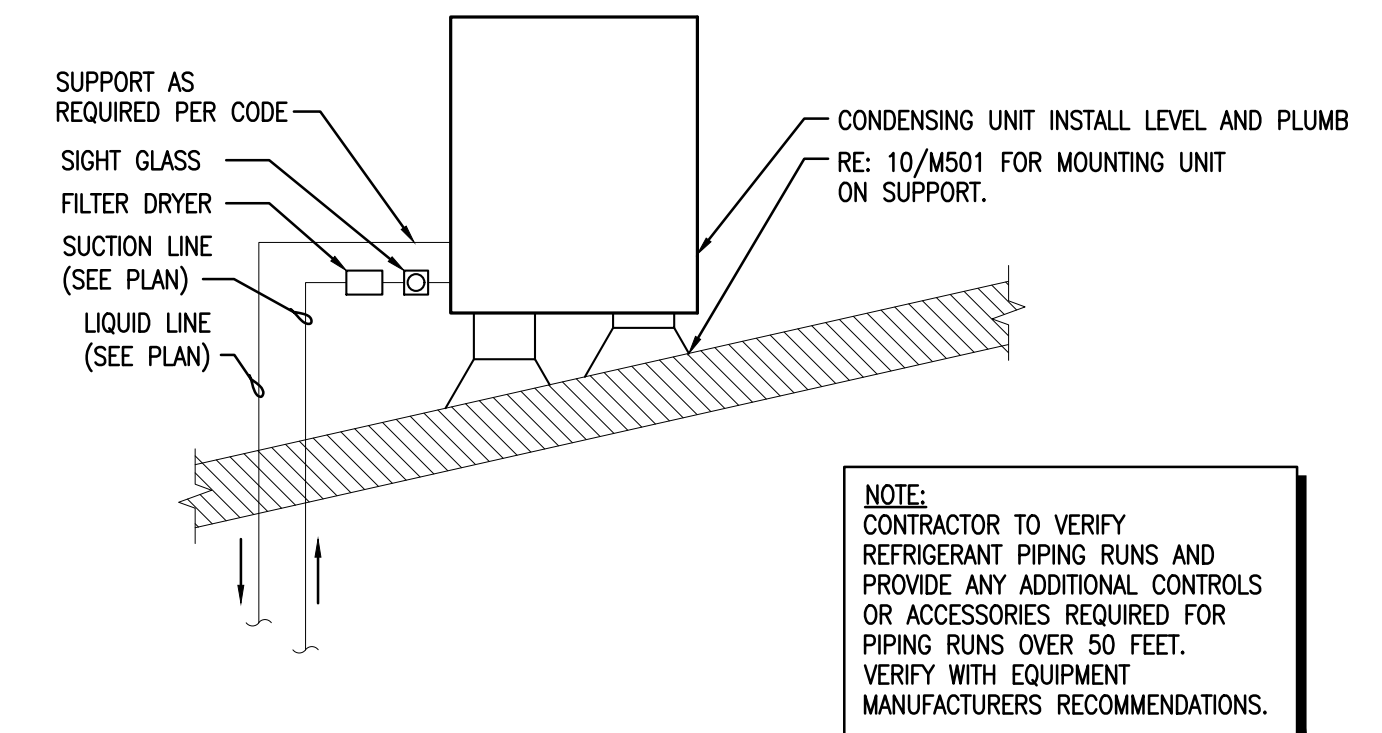
**1 TYPICAL DUCTWORK DETAILS**  
NOT TO SCALE



**7 PENETRATION DAMPER SEALER POCKET DETAIL**  
NOT TO SCALE



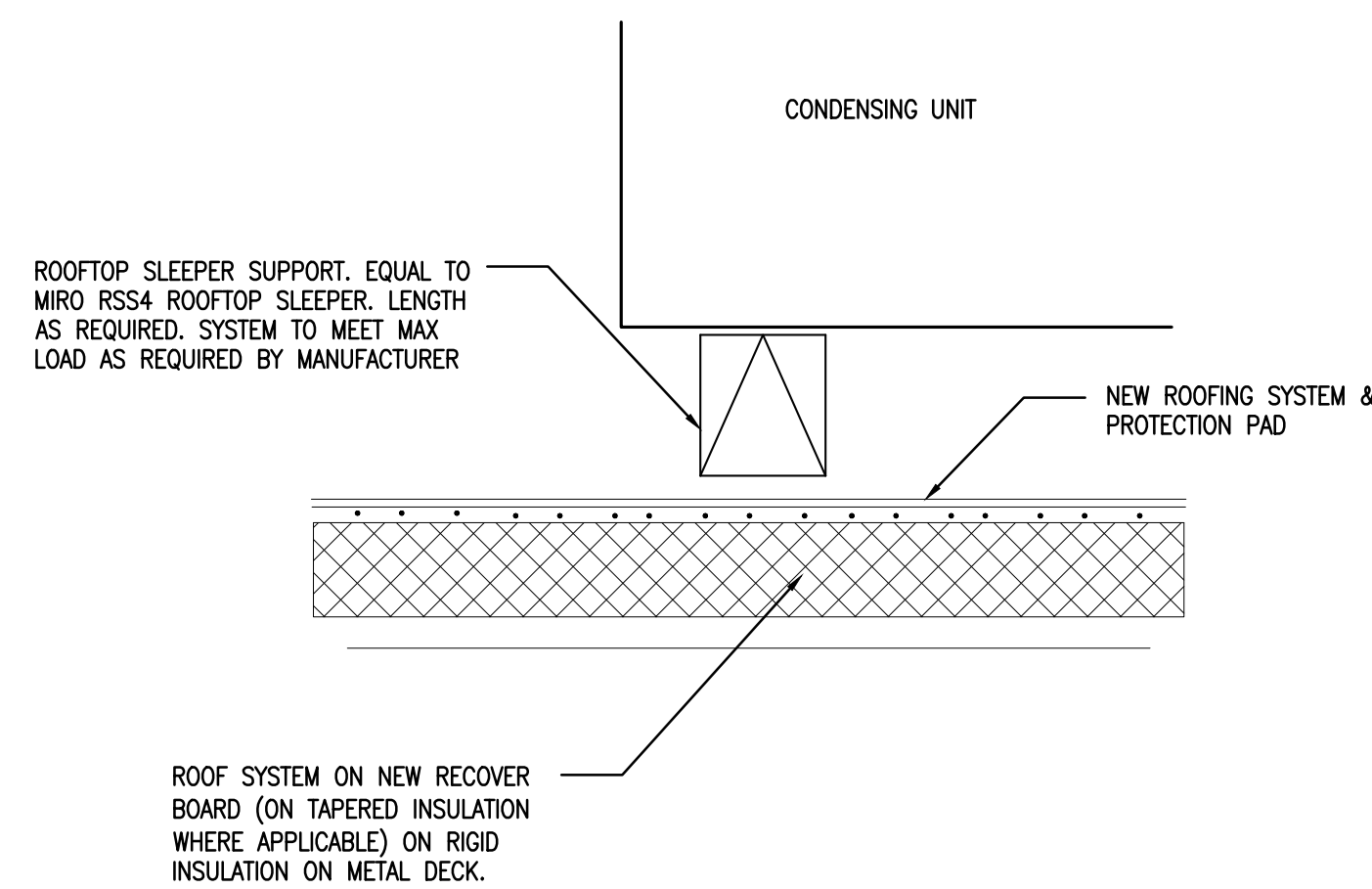
**6 VENT TERMINATION DETAIL**  
NOT TO SCALE



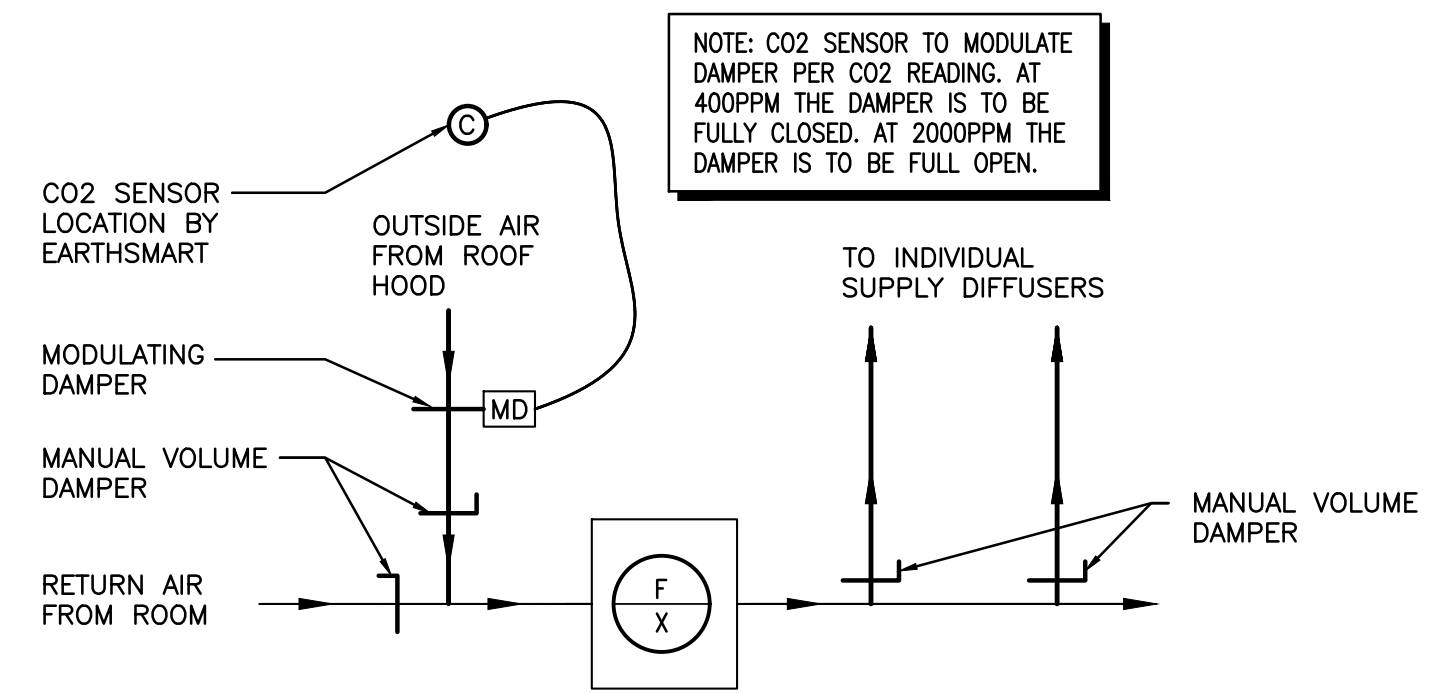
**5 CONDENSING UNIT MOUNTING DETAIL**  
NOT TO SCALE

- NOTES:**
1. SMOKE DETECTOR FURNISHED AND WIRED BY ELECTRICAL CONTRACTOR, AND MOUNTED BY MECHANICAL CONTRACTOR.
  2. INSTALL IN STRICT ACCORDANCE WITH MANUFACTURER'S INSTALLATION INSTRUCTIONS.
  3. PROVIDE ACCESS DOOR AT SAMPLING TUBES.
  4. THE TUBE SHALL BE INSTALLED PARALLEL TO LONG DIMENSION OF DUCT.
  5. PRODUCT SHALL BE UL268A LISTED FOR DUCT MOUNTED SMOKE DETECTORS, OR UL268A FOR ALL OTHER SMOKE DETECTOR TYPES.
  6. EC SHALL TEST ACCORDING TO UL AND CODES IN THE PRESENCE OF CODE AUTHORITY.

**10 SMOKE DETECTOR MOUNTING DETAIL**  
NOT TO SCALE



**9 CONDENSING UNIT ROOF SUPPORT**  
NOT TO SCALE



**8 TYPICAL FURNACE AIR BALANCING SCHEMATIC**  
NOT TO SCALE



KF	drawn by
DMG	checked by
SEPTEMBER 2023	date
	revisions

MOORE PUBLIC SCHOOLS  
BOARD OF EDUCATION  
MOORE, OKLAHOMA



OFFICE ADDITION  
FAIRVIEW  
ELEMENTARY SCHOOL

sheet no:

**M501**